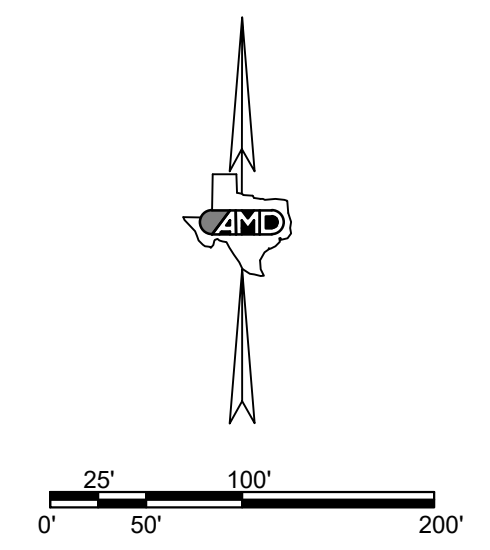
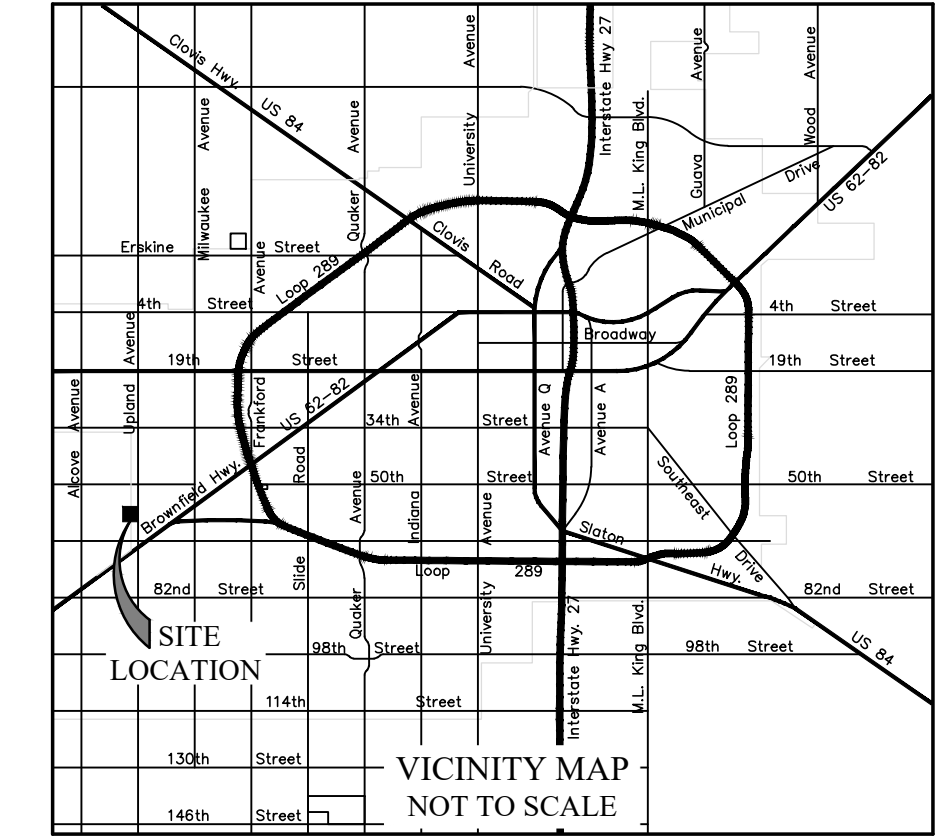


ESCONDIDO CROSSING, LOTS 158 THROUGH 323, AND TRACTS "B" AND "C", AN ADDITION TO THE CITY OF LUBBOCK, LUBBOCK COUNTY, TEXAS



- NOTES:
SCALE 1" = 100'.
1. HEAVY LINES INDICATE PLAT LIMITS.
2. ALL STREETS, ALLEYS, AND EASEMENTS WITHIN PLAT LIMITS ARE HEREIN DEDICATED, UNLESS NOTED OTHERWISE.
3. NO BUILDING PERMIT SHALL BE ISSUED ON THIS SURVEY CERTIFICATE THAT IS NOT IN ACCORDANCE WITH AN APPROVED FINAL PLAT UNLESS AN EXCEPTION IS PROVIDED BY THE PLANNING AND ZONING COMMISSION POLICY OR BY THE LUBBOCK CODE OF ORDINANCES.
4. ALL UTILITY SERVICE SHALL BE IN ACCORDANCE WITH THE "UNDERGROUND UTILITIES POLICY" STATEMENT BY THE PLANNING AND ZONING COMMISSION OF THE CITY OF LUBBOCK, TEXAS AND THE PROVISIONS OF SECTION 36.09.095 OF THE LUBBOCK CODE OF ORDINANCES.
5. ANY RELOCATION OR REVISION OF EXISTING FACILITIES SHALL BE THE SUBDIVIDER'S EXPENSE. COMPENSATION SHALL BE MADE PRIOR TO RECORDING OF THIS FINAL PLAT.
6. ALL EXISTING OR PROPOSED UTILITY SERVICES TO AND ON TRACTS INDICATED BY THIS PLAT SHALL BE CONTAINED IN THE PUBLIC RIGHT-OF-WAY AND PUBLIC OR PRIVATE UTILITY EASEMENTS. UTILITY SERVICE INSTALLATION REQUESTED AT A FUTURE DATE AND NOT WITHIN AN EASEMENT INDICATED BY THIS PLAT, SHALL BE WITHIN A PROPER UTILITY EASEMENT GRANTED BY THE OWNER OF SAID PROPERTY BY SEPARATE RECORDED INSTRUMENT PRIOR TO THE PROVISION OF SUCH SERVICE. SUCH EASEMENTS SHALL BE AT THE EXPENSE OF THE ENTITY REQUESTING SUCH INSTALLATION.
7. ALL EASEMENTS HEREIN GRANTED SHALL ENTITILE THE CITY OR THE UTILITY COMPANY USING SUCH EASEMENTS TO THE RIGHT TO REMOVE, REPAIR OR REPLACE ANY LINES, PIPES, CONDUITS, OR POLES WITHIN SUCH EASEMENTS AS MAY BE DETERMINED BY THE CITY OR UTILITY COMPANY WITHOUT THE CITY OR UTILITY COMPANY BEING RESPONSIBLE OR LIABLE FOR THE REPLACEMENT OF IMPROVEMENTS, PAVING OR SURFACING OF THE EASEMENT NECESSITATED BY SUCH REPAIR, REMOVAL, OR REPLACEMENT. EASEMENTS DESIGNATED OR INTENDED FOR VEHICULAR PASSAGE (UTILITY AND EMERGENCY) OR PEDESTRIAN ACCESS SHALL NOT BE FENCED OR OTHERWISE OBSTRUCTED.
8. ANY EASEMENTS OR RIGHTS-OF-WAY SHOWN AS "TO BE DEDICATED BY SEPARATE INSTRUMENT" ARE SHOWN ON THE PLAT FOR INFORMATION PURPOSES ONLY. THIS PLAT DOES NOT DEDICATE SAID EASEMENTS.
9. MINIMUM FLOOR ELEVATIONS SHALL CONFORM TO THE REQUIREMENTS OF THE LUBBOCK DRAINAGE CRITERIA MANUAL, AS ADOPTED BY ORDINANCE 10022, AS AMENDED, AND SECTION 28.09.131, SECTION 28.14.004 AND SECTION 30.03.073 OF THE LUBBOCK CODE OF ORDINANCES.
10. IN ORDER TO PREVENT DAMAGE TO PUBLIC AND PRIVATE UTILITIES AND TO MINIMIZE AND OR ELIMINATE INTERRUPTION OF UTILITY SERVICES, THE CITY OF LUBBOCK SOLID WASTE SERVICES DEPARTMENT REQUESTS THAT NO UTILITY RISERS, METER BASES, PEDESTALS, ETC., PUBLIC OR PRIVATE, BE PLACED IN THE CHAMFERED CORNERS OF ALLEYWAYS.
DRE = DRAINAGE EASEMENT.
OPE = OVERHEAD POWER LINE EASEMENT.
PAE = PEDESTRIAN ACCESS EASEMENT.
R-O-W = RIGHT-OF-WAY.
SPEC = SOUTH PLAINS ELECTRIC COOPERATIVE.
TPE = 4' X 8' (MINIMUM) TRANSFORMER PAD EASEMENT (SPEC), INDICATED BY SYMBOL [Symbol].
UUE = UNDERGROUND UTILITY EASEMENT.
CCFN = COUNTY CLERK'S FILE NUMBER.
CM = CONTROLLING MONUMENT.
PMRD = PHYSICAL MONUMENT OF RECORD DIGNITY.
ALL CORNERS MONUMENTED WITH 1/2" IRON ROD WITH CAP MARKED "AMD ENGINEERING", UNLESS OTHERWISE SPECIFIED.
BEARINGS ARE GRID BEARINGS RELATIVE TO THE TEXAS COORDINATE SYSTEM OF 1983 (2011), TEXAS NORTH CENTRAL ZONE.
THE CONVERGENCE ANGLE TO TRUE NORTH IS -01°53'34". COMBINED SCALE FACTOR IS 0.99975647.
COORDINATES SHOWN HEREON ARE BASED ON THE TEXAS COORDINATE SYSTEM OF 1983 (2011), TEXAS NORTH CENTRAL ZONE. DISTANCES AS SHOWN HEREON ARE AT SURFACE, IN U.S. SURVEY FEET.
THESE PLAT LIMITS CONTAINS 32.965 ACRES OF LAND.

APPROVED THIS _____ DAY OF _____, 20____,
BY THE PLANNING AND ZONING COMMISSION OF THE CITY OF LUBBOCK, TEXAS.

CHAIRMAN

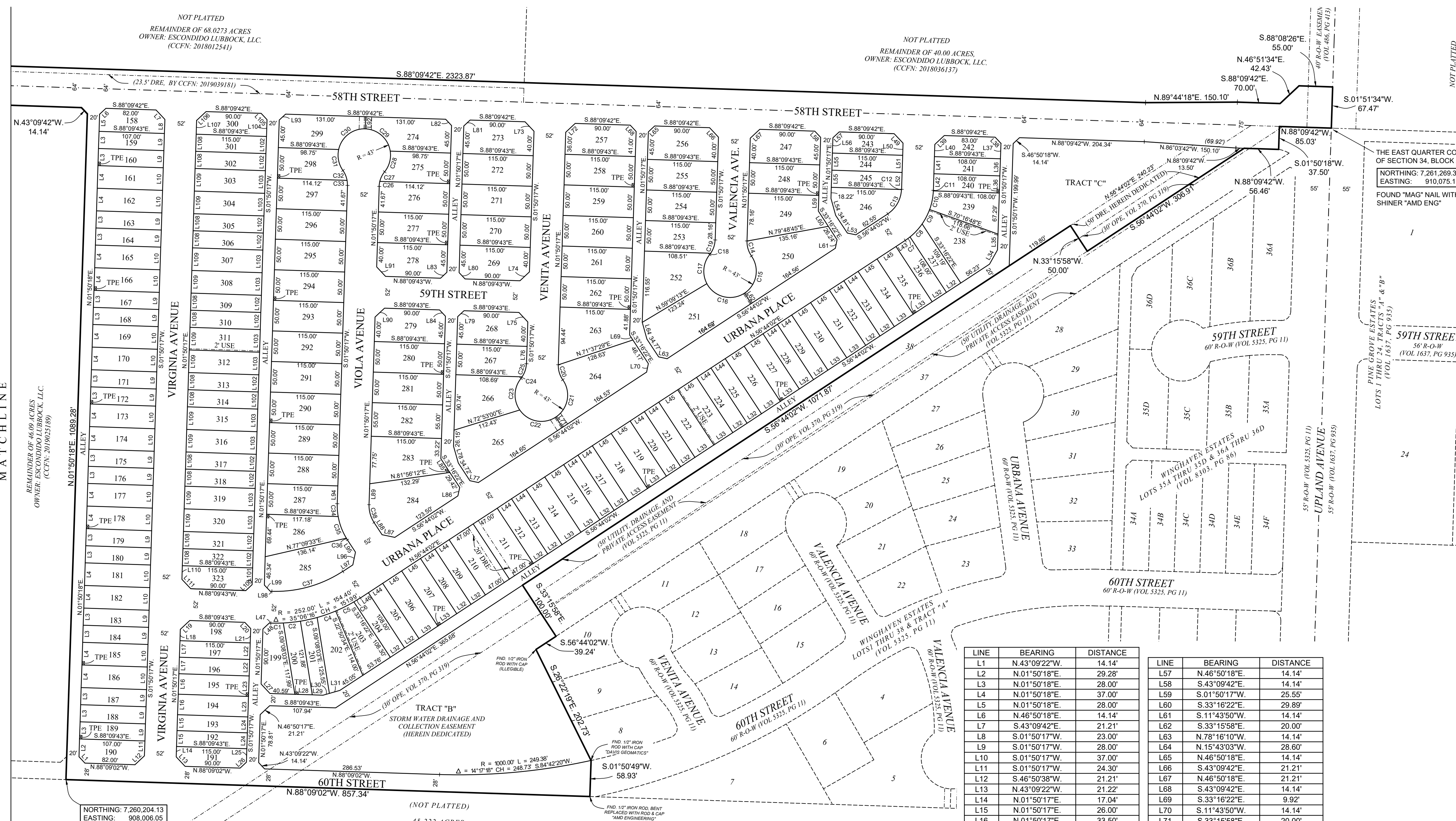
DIRECTOR OF PLANNING

KNOW ALL MEN BY THESE PRESENTS THAT I, NORMAN STEVENS, REGISTERED PROFESSIONAL LAND SURVEYOR, DO HEREBY CERTIFY THAT I HAVE PREPARED THIS PLAT FROM AN ACTUAL AND ACCURATE SURVEY OF THE LAND AND THAT THE CORNER MONUMENTS AND/OR OTHER CONTROL SHOWN THEREON WERE PROPERLY PLACED UNDER MY PERSONAL SUPERVISION, IN ACCORDANCE WITH THE SUBDIVISION REGULATIONS OF THE CITY OF LUBBOCK, TEXAS.

REGISTERED PROFESSIONAL LAND SURVEYOR # 4339
LUBBOCK, TEXAS

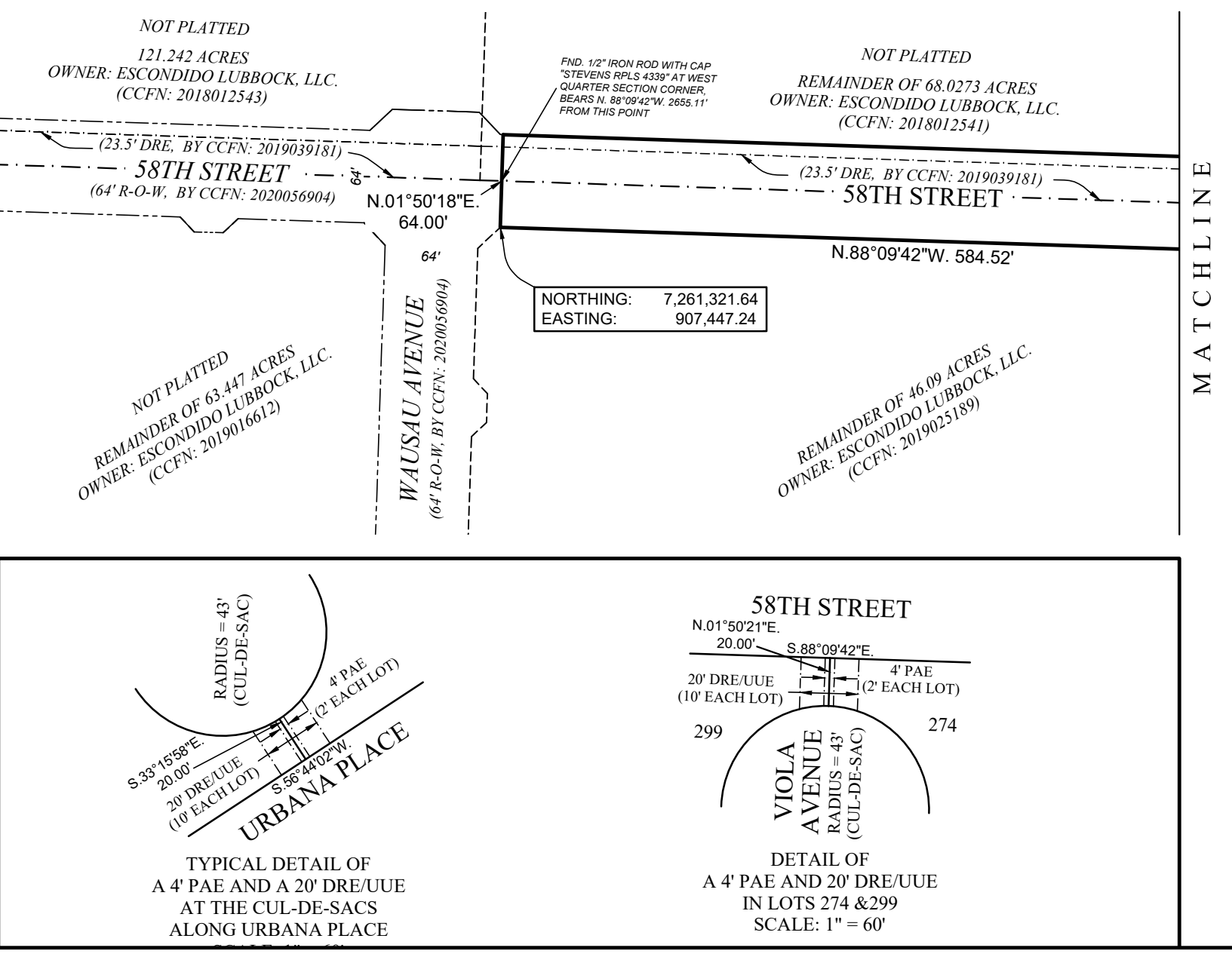
SURVEYED: XXXXXX XX, 20____

AMD CIVIL ENGINEERING
LAND SURVEYING
AMD Engineering, LLC
8515 58th Street, Suite 300
Lubbock, TX 79424
Phone: 806-771-5876
Fax: 806-771-7925
TBPELS Reg. # 10178500
Accuracy - Efficiency - Integrity
PROPERTY OWNER: ESCONDIDO LUBBOCK, LLC
ADDRESS: 3410 88TH STREET, STE #5, LUBBOCK, TEXAS 79423
PHONE: 806-773-0813
JOB NUMBER: 210100
© 2021 ALL RIGHTS RESERVED



LINE	BEARING	DISTANCE
L1	N.43°09'22"W.	14.14'
L2	N.01°50'18"E.	29.28'
L3	N.01°50'18"E.	28.00'
L4	N.01°50'18"E.	37.00'
L5	N.01°50'18"E.	28.00'
L6	N.46°50'18"E.	14.14'
L7	S.43°09'42"E.	21.21'
L8	S.01°50'17"W.	23.00'
L9	S.01°50'17"W.	28.00'
L10	S.01°50'17"W.	37.00'
L11	S.01°50'17"W.	24.30'
L12	S.46°50'38"W.	21.21'
L13	N.43°09'22"W.	21.22'
L14	N.01°50'17"E.	17.04'
L15	N.01°50'17"E.	26.00'
L16	N.01°50'17"E.	33.50'
L17	N.01°50'17"E.	27.00'
L18	N.01°50'17"E.	18.50'
L19	N.46°50'17"E.	21.21'
L20	S.43°09'43"E.	14.14'
L21	S.01°50'17"W.	23.50'
L22	S.01°50'17"W.	27.00'
L23	S.01°50'17"W.	33.50'
L24	S.01°50'17"W.	26.00'
L25	S.01°50'17"W.	22.30'
L26	S.46°50'38"W.	14.14'
L27	N.43°09'43"W.	21.21'
L28	N.88°09'43"W.	28.52'
L29	N.88°09'43"W.	17.51'
L30	S.74°17'09"W.	10.88'
L31	S.74°17'09"W.	17.72'
L32	S.56°44'02"W.	28.00'
L33	S.56°44'02"W.	37.00'
L34	S.29°17'09"W.	26.62'
L35	S.01°50'17"W.	25.92'
L36	S.01°50'17"W.	28.00'
L37	S.01°50'17"W.	25.17'
L38	S.43°09'42"E.	13.90'
L39	N.46°50'18"E.	21.21'
L40	N.01°50'17"E.	20.00'
L41	N.01°50'17"E.	28.00'
L42	N.01°50'17"E.	27.08'
L43	N.56°44'02"E.	18.17'
L44	N.56°44'02"E.	28.00'
L45	N.56°44'02"E.	37.00'
L46	N.56°44'02"E.	15.75'
L47	S.88°09'43"E.	2.71'
L48	N.46°50'17"E.	14.14'
L49	S.43°09'42"E.	21.21'
L50	S.01°50'17"W.	20.00'
L51	S.01°50'17"W.	28.00'
L52	S.01°50'17"W.	27.52'
L53	N.78°16'10"W.	14.14'
L54	N.15°43'03"W.	28.60'
L55	N.01°50'17"E.	22.28'
L56	N.01°50'17"E.	25.00'

CURVE	RADIUS	ARC LENGTH	DELTA ANGLE	CHORD LENGTH	CHORD BEARING
C1	252.00'	20.45'	4°38'55"	20.44'	N.89°30'49"E
C2	252.00'	28.06'	6°22'44"	28.04'	N.83°59'59"E
C3	252.00'	28.06'	6°22'44"	28.04'	N.77°37'13"E
C4	252.00'	32.22'	7°19'29"	32.19'	N.70°46'06"E
C5	252.00'	33.36'	7°35'09"	33.34'	N.63°18'48"E
C6	252.00'	12.25'	2°47'10"	12.25'	N.58°07'37"E
C7	102.00'	9.85'	5°31'57"	9.85'	N.53°58'05"E
C8	102.00'	28.91'	16°14'22"	28.81'	N.43°04'55"E
C9	102.00'	26.78'	15°01'46"	26.68'	N.27°26'51"E
C10	102.00'	31.30'	17°34'50"	31.18'	N.11°08'33"E
C11	102.00'	0.92'	0°30'51"	0.92'	N.02°05'42"E
C12	50.00'	0.48'	0°33'05"	0.48'	S.02°06'50"W
C13	50.00'	47.42'	32°36'33"	45.67'	S.29°33'42"W
C14	40.00'	28.06'	37°19'40"	25.60'	N.16°49'33"W
C15	43.00'	69.24'	92°15'49"	62.00'	N.10°38'32"E
C16	43.00'	71.35'	95°04'24"	63.44'	S.75°41'22"E
C17	43.00'	50.52'	67°19'07"	47.67'	S.05°30'24"W
C18	40.00'	2.96'	4°14'08"	2.96'	S.37°02'53"W
C19	40.00'	23.10'	33°05'32"	22.78'	S.18°23'03"W
C20	40.00'	28.06'	37°19'40"	25.60'	N.16°49'33"W
C21	43.00'	69.27'	92°18'14"	62.02'	N.10°39'45"E
C22	43.00'	66.60'	88°44'36"	60.14'	S.78°48'51"E
C23	43.00'	55.24'	73°36'29"	51.52'	S.02°21'42"W
C24	40.00'	3.29'	4°43'07"	3.29'	S.36°48'23"W
C25	40.00'	22.77'	32°36'33"	22.46'	S.18°08'34"W
C26	40.00'	8.39'	12°01'03"	8.37'	N.07°50'49"E
C27	40.00'	17.67'	25°18'36"	17.53'	N.26°30'39"E
C28	43.00'	36.06'	48°02'57"	35.01'	N.15°08'28"E
C29	43.00'	59.50'	79°16'43"	54.86'	N.48°31'21"W
C30	43.00'	59.50'	79°16'43"	54.86'	S.52°11'56"W
C31	43.00'	36.06'	48°02'57"	35.01'	S.11°27'54"E
C32	40.00'	17.67'	25°18'36"	17.53'	S.22°50'04"E
C33	40.00'	8.39'	12°01'03"	8.37'	S.04°10'14"E
C34	102.00'	21.13'	11°52'17"	21.10'	S.04°05'51"E
C35	102.00'	38.06'	21°22'38"	37.84'	S.20°43'18"E
C36	102.00'	3.30'	1°51'21"	3.30'	S.32°20'18"E
C37	200.00'	122.54'	35°06'16"	120.63'	S.74°17'09"W
C38	50.00'	30.63'	35°06'16"	30.16'	N.15°42'51"W



NOT PLATTED
121.242 ACRES
OWNER: ESCONDIDO LUBBOCK, LLC.
(CCFN: 201801254)

NOT PLATTED
REMAINDER OF 68.0273 ACRES
OWNER: ESCONDIDO LUBBOCK, LLC.
(CCFN: 201801254)

NOT PLATTED
REMAINDER OF 63.407 ACRES
OWNER: ESCONDIDO LUBBOCK, LLC.
(CCFN: 2018016672)

NOT PLATTED
REMAINDER OF 46.09 ACRES
OWNER: ESCONDIDO LUBBOCK, LLC.
(CCFN: 2019025189)

NOT PLATTED
REMAINDER OF 40.00 ACRES
OWNER: ESCONDIDO LUBBOCK, LLC.
(CCFN: 201806137)

NOT PLATTED
REMAINDER OF 46.09 ACRES
OWNER: ESCONDIDO LUBBOCK, LLC.
(CCFN: 201903189)

NOT PLATTED
REMAINDER OF 46.09 ACRES
OWNER: ESCONDIDO LUBBOCK, LLC.
(CCFN: 201903189)

NOT PLATTED
REMAINDER OF 46.09 ACRES
OWNER: ESCONDIDO LUBBOCK, LLC.
(CCFN: 201903189)

NOT PLATTED
REMAINDER OF 46.09 ACRES
OWNER: ESCONDIDO LUBBOCK, LLC.
(CCFN: 201903189)

NOT PLATTED
REMAINDER OF 46.09 ACRES
OWNER: ESCONDIDO LUBBOCK, LLC.
(CCFN: 201903189)

NOT PLATTED
REMAINDER OF 46.09 ACRES
OWNER: ESCONDIDO LUBBOCK, LLC.
(CCFN: 201903189)

NOT PLATTED
REMAINDER OF 46.09 ACRES
OWNER: ESCONDIDO LUBBOCK, LLC.
(CCFN: 201903189)

NOT PLATTED
REMAINDER OF 46.09 ACRES
OWNER: ESCONDIDO LUBBOCK, LLC.
(CCFN: 201903189)

NOT PLATTED
REMAINDER OF 46.09 ACRES
OWNER: ESCONDIDO LUBBOCK, LLC.
(CCFN: 201903189)

NOT PLATTED
REMAINDER OF 46.09 ACRES
OWNER: ESCONDIDO LUBBOCK, LLC.
(CCFN: 201903189)

NOT PLATTED
REMAINDER OF 46.09 ACRES
OWNER: ESCONDIDO LUBBOCK, LLC.
(CCFN: 201903189)

NOT PLATTED
REMAINDER OF 46.09 ACRES
OWNER: ESCONDIDO LUBBOCK, LLC.
(CCFN: 201903189)

NOT PLATTED
REMAINDER OF 46.09 ACRES
OWNER: ESCONDIDO LUBBOCK, LLC.
(CCFN: 201903189)

NOT PLATTED
REMAINDER OF 46.09 ACRES
OWNER: ESCONDIDO LUBBOCK, LLC.
(CCFN: 201903189)

NOT PLATTED
REMAINDER OF 46.09 ACRES
OWNER: ESCONDIDO LUBBOCK, LLC.
(CCFN: 201903189)

NOT PLATTED
REMAINDER OF 46.09 ACRES
OWNER: ESCONDIDO LUBBOCK, LLC.
(CCFN: 201903189)

NOT PLATTED
REMAINDER OF 46.09 ACRES
OWNER: ESCONDIDO LUBBOCK, LLC.
(CCFN: 201903189)

NOT PLATTED
REMAINDER OF 46.09 ACRES
OWNER: ESCONDIDO LUBBOCK, LLC.
(CCFN: 201903189)

NOT PLATTED
REMAINDER OF 46.09 ACRES
OWNER: ESCONDIDO LUBBOCK, LLC.
(CCFN: 201903189)

NOT PLATTED
REMAINDER OF 46.09 ACRES
OWNER: ESCONDIDO LUBBOCK, LLC.
(CCFN: 201903189)

NOT PLATTED
REMAINDER OF 46.09 ACRES
OWNER: ESCONDIDO LUBBOCK, LLC.
(CCFN: 201903189)

NOT PLATTED
REMAINDER OF 46.09 ACRES
OWNER: ESCONDIDO LUBBOCK, LLC.
(CCFN: 201903189)

NOT PLATTED
REMAINDER OF 46.09 ACRES
OWNER: ESCONDIDO LUBBOCK, LLC.
(CCFN: 201903189)

NOT PLATTED
REMAINDER OF 46.09 ACRES
OWNER: ESCONDIDO LUBBOCK, LLC.
(CCFN: 201903189)

NOT PLATTED
REMAINDER OF 46.09 ACRES
OWNER: ESCONDIDO LUBBOCK, LLC.
(CCFN: 201903189)

NOT PLATTED
REMAINDER OF 46.09 ACRES
OWNER: ESCONDIDO LUBBOCK, LLC.
(CCFN: 201903189)

NOT PLATTED
REMAINDER OF 46.09 ACRES
OWNER: ESCONDIDO LUBBOCK, LLC.
(CCFN: 201903189)

NOT PLATTED
REMAINDER OF 46.09 ACRES
OWNER: ESCONDIDO LUBBOCK, LLC.
(CCFN: 201903189)

NOT PLATTED
REMAINDER OF 46.09 ACRES
OWNER: ESCONDIDO LUBBOCK, LLC.
(CCFN: 201903189)

NOT PLATTED
REMAINDER OF 46.09 ACRES
OWNER: ESCONDIDO LUBBOCK, LLC.
(CCFN: 201903189)

NOT PLATTED
REMAINDER OF 46.09 ACRES
OWNER: ESCONDIDO LUBBOCK, LLC.
(CCFN: 201903189)

NOT PLATTED
REMAINDER OF 46.09 ACRES
OWNER: ESCONDIDO LUBBOCK, LLC.
(CCFN: 201903189)

NOT PLATTED
REMAINDER OF 46.09 ACRES
OWNER: ESCONDIDO LUBBOCK, LLC.
(CCFN: 201903189)

NOT PLATTED
REMAINDER OF 46.09 ACRES
OWNER: ESCONDIDO LUBBOCK, LLC.
(CCFN: 201903189)

NOT PLATTED
REMAINDER OF 46.09 ACRES
OWNER: ESCONDIDO LUBBOCK, LLC.
(CCFN: 201903189)

NOT PLATTED
REMAINDER OF 46.09 ACRES
OWNER: ESCONDIDO LUBBOCK, LLC.
(CCFN: 201903189)

NOT PLATTED
REMAINDER OF 46.09 ACRES
OWNER: ESCONDIDO LUBBOCK, LLC.
(CCFN: 201903189)

NOT PLATTED
REMAINDER OF 46.09 ACRES
OWNER: ESCONDIDO LUBBOCK, LLC.
(CCFN: 201903189)

NOT PLATTED
REMAINDER OF 46.09 ACRES
OWNER: ESCONDIDO LUBBOCK, LLC.
(CCFN: 201903189)

NOT PLATTED
REMAINDER OF 46.09 ACRES
OWNER: ESCONDIDO LUBBOCK, LLC.
(CCFN: 201903189)

NOT PLATTED
REMAINDER OF 46.09 ACRES
OWNER: ESCONDIDO LUBBOCK, LLC.
(CCFN: 201903189)

NOT PLATTED
REMAINDER OF 46.09 ACRES
OWNER: ESCONDIDO LUBBOCK, LLC.
(CCFN: 201903189)

NOT PLATTED
REMAINDER OF 46.09 ACRES
OWNER: ESCONDIDO LUBBOCK, LLC.
(CCFN: 201903189)

NOT PLATTED
REMAINDER OF 46.09 ACRES
OWNER: ESCONDIDO LUBBOCK, LLC.
(CCFN: 201903189)

NOT PLATTED
REMAINDER OF 46.09 ACRES
OWNER: ESCONDIDO LUBBOCK, LLC.
(CCFN: 201903189)

NOT PLATTED
REMAINDER OF 46.09 ACRES
OWNER: ESCONDIDO LUBBOCK, LLC.
(CCFN: 201903189)

NOT PLATTED
REMAINDER OF 46.09 ACRES
OWNER: ESCONDIDO LUBBOCK, LLC.
(CCFN: 201903189)

NOT PLATTED
REMAINDER OF 46.09 ACRES
OWNER: ESCONDIDO LUBBOCK, LLC.
(CCFN: 201903189)

NOT PLATTED
REMAINDER OF 46.09 ACRES
OWNER: ESCONDIDO LUBBOCK, LLC.
(CCFN: 201903189)

NOT PLATTED
REMAINDER OF 46.09 ACRES
OWNER: ESCONDIDO LUBBOCK, LLC.
(CCFN: 201903189)

NOT PLATTED
REMAINDER OF 46.09 ACRES
OWNER: ESCONDIDO LUBBOCK, LLC.
(CCFN: 201903189)

NOT PLATTED
REMAINDER OF 46.09 ACRES
OWNER: ESCONDIDO LUBBOCK, LLC.
(CCFN: 201903189)

NOT PLATTED
REMAINDER OF 46.09 ACRES
OWNER: ESCONDIDO LUBBOCK, LLC.
(CCFN: 201903189)

NOT PLATTED
REMAINDER OF 46.09 ACRES
OWNER: ESCONDIDO LUBBOCK, LLC.
(CCFN: 201903189)

NOT PLATTED
REMAINDER OF 46.09 ACRES
OWNER: ESCONDIDO LUBBOCK, LLC.
(CCFN: 201903189)

NOT PLATTED
REMAINDER OF 46